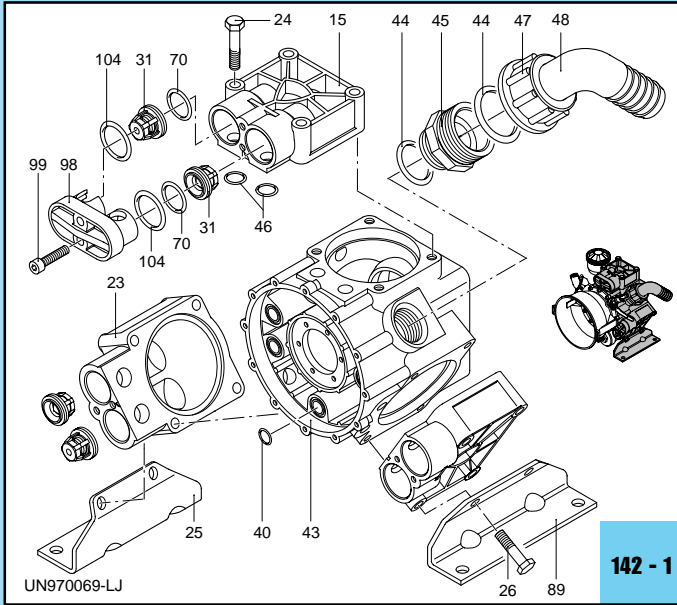
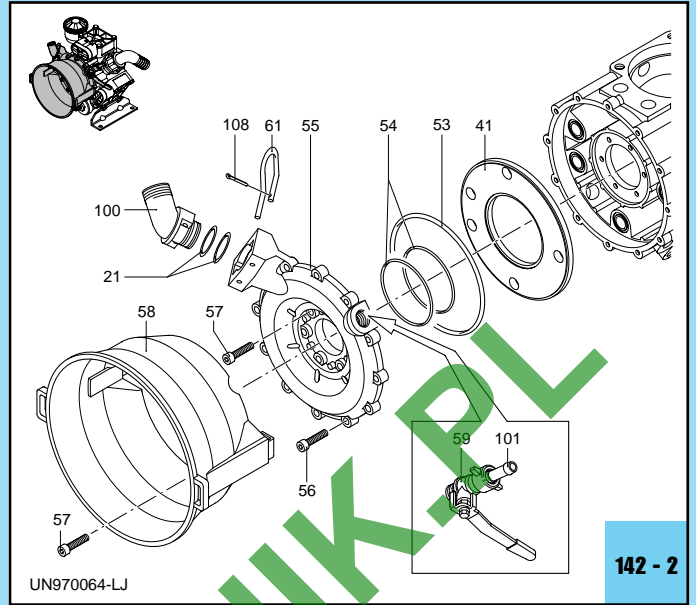


# AR 703 C/SP - AR 703 C/C



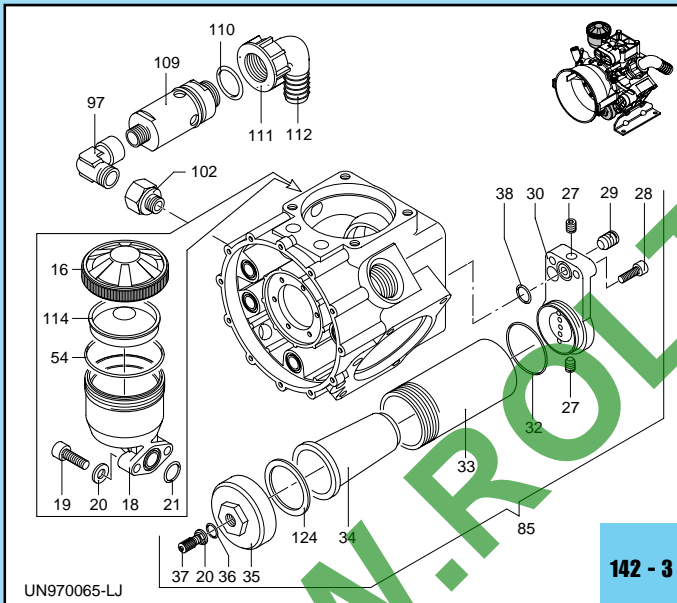
142 - 1

UN970069-LJ



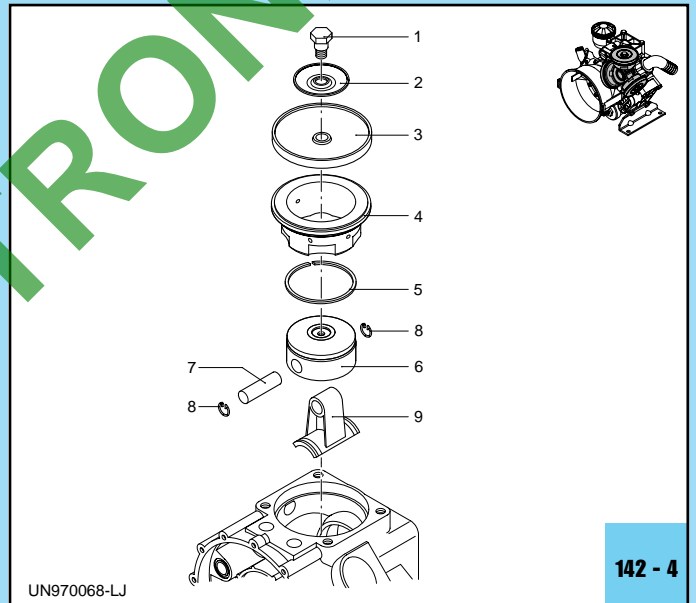
142 - 2

UN970064-LJ



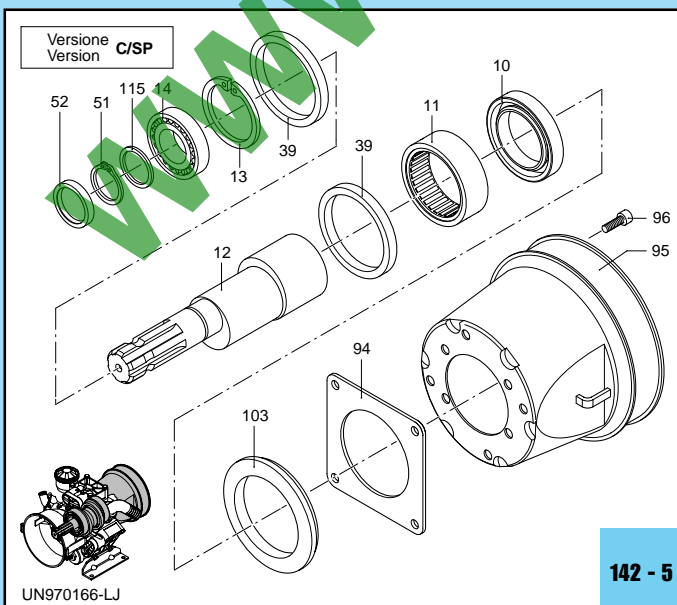
142 - 3

UN970065-LJ



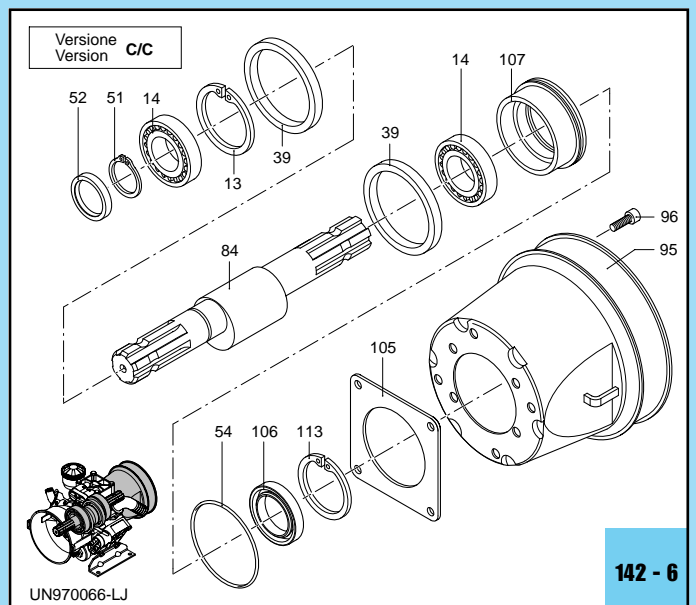
142 - 4

UN970068-LJ



142 - 5

UN970166-LJ



142 - 6

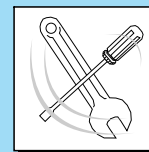
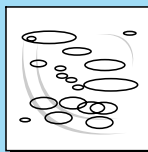
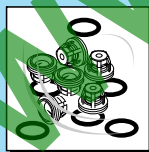
UN970066-LJ

# AR 703 C/SP - AR 703 C/C



Pos.	Cod.	Descrizione	Description	Q.ty	Note
1	580360	Perno membrana	Diaphragm pin	3	
2	1040180	Piastra di richiamo	Plate	3	
3	1040080	Membrana	Diaphragm	3	Desmopan
3	1040081	Membrana	Diaphragm	3	Gomma
4	1040110	Camicia	Sleeve	3	
5	650190	Segmento	Piston ring	3	
6	1040120	Pistone	Piston	3	
7	1040070	Spinotto	Piston pin	3	
8	1040270	Anellino spinotto	Pin ring	6	
9	1040141	Biella	Connection rod	3	
10	1400150	Anello tenuta	Seal ring	1	
11	650200	Cuscinetto a rullini	Roller bearing	1	
12	1040170	Albero eccentrico "CSP"	"C/SP" shaft	1	Old version
12	1040840	Albero eccentrico "CSP"	"C/SP" shaft	1	New version
13	161050	Anello seeger	Circlip	1	
14	161060	Cuscinetto	Bearing	2	
15	1040551	Testa DX	Right head	2	
16	750050	Tappo serbatoio rosso	Red oil tank cap	1	
18	680030	Serbatoio olio	Oil tank	1	
19	680350	Vite TCEI M 8x35	Bolt	2	
20	380241	Rosetta øi 8,5	Washer	3	
21	390180	OR ø 18,72x2,62	O-Ring	3	
23	1040552	Testa SX	Left head	1	
24	1480040	Vite TE M 12x60	Bolt	8	
25	1800010	Piede SX	Left base	1	
26	750060	Vite TE M 12x65	Bolt	4	
27	1040470	Grano M 10x8	Dowel	2	
28	320360	Vite TCEI M 8x22	Bolt	2	
29	1040260	Grano M 10x25	Dowel	1	
30	1040210	Attacco camera aria	Air chamber connector	1	
31	1409050	Valvola completa	Complete valve	6	
32	540360	OR ø 44,12x2,62	O-Ring	1	
33	1040220	Tubo camera aria	Air chamber tube	1	
34	1040240	Semicamera aria	Semi air chamber	1	
35	1040230	Coperchio camera aria	Air chamber cover	1	
36	650542	Guarnizione	Gasket	1	
37	550300	Valvola di gonfiaggio	Air valve	1	
38	640070	OR ø 13,95x2,62	O-Ring	1	
39	1040340	Anello biella	Con rod ring	2	
40	1200691	OR ø 15,6x1,78	O-Ring	5	Viton
41	1040020	Separatore condotti	Manifold plate	1	
43	1040010	Corpo pompa	Pump body	1	
44	250310	OR ø 36,14x2,62	O-Ring	2	
45	540530	Niples 1"1/4-1"3/4 G (M)	Threaded adapter	1	
46	770571	OR ø 18,77x1,78	O-Ring	6	Viton
47	540540	Girello 1"3/4 G	Ring nut	1	

Pos.	Cod.	Descrizione	Description	Q.ty	Note
48	540550	Curva ø 40	Elbow	1	
51	1040570	Anello seeger	Circlip	1	
52	1040050	Anello tenuta	Seal ring	1	
53	1040090	OR ø 142,5x3,53	O-Ring	1	
54	1040060	OR ø 72,69x2,62	O-Ring	4	
55	1040150	Condotto mandata	Manifold	1	
56	1040370	Vite TCEI M 6x22	Bolt	12	
57	780060	Vite TCEI M 6x25	Bolt	6	
58	1500130	Protezione cardano	Cardan protection	1	
59	130491	Rub. 3/8"-1/2" G (M) DX	Right valve	1	ex 30491
61	1040690	Forcella	Fork	1	
70	620030	OR ø 25,80x3,53	O-Ring	6	
84	1400080	Albero eccentrico "C/C"	"C/C" shaft	1	
85	1524	Camera aria completa	Complete air chamber	1	
89	1800020	Piede DX	Right base	1	
94	1400140	Flangia anello tenuta	Flange	1	
95	1500350	Protezione cardano	Cardan protection	1	ø 199 mm
95	1500470	Protezione cardano	Cardan protection	1	ø 239 mm
96	820670	Vite TCEI M 10x16	Bolt	4	
97	881560	Gomito 90° 1/2" G (M)-(F)	Elbow	1	
98	1300190	Tappo valvola	Valve cap	3	
99	620610	Vite TCEI M 8x30	Bolt	6	
100	1040760	Attacco 3/4" G	Coupling	1	
101	110131	Racc. 1/2" G+ tub. ø10	Fitting 1/2" G+hose ø10	1	ex 10131
102	881461	Manic 3/8"-1/2" G (M)-(F)	Threaded adapter	1	
103	1400110	Centraggio flangia "CSP"	"C/SP" flange spigot	1	
104	540361	OR ø 33,05x1,78	O-Ring	6	
105	1400250	Flangia centraggio	Flange	1	
106	160740	Anello tenuta	Seal ring	1	
107	1800130	Supp. cuscinetto "C/C"	Bearing support "C/C"	1	
108	1040950	Copiglia	Split pin	1	
109	1609002	Valvola di sicurezza	Safety valve	1	
110	880831	OR ø 15,54x2,62	O-Ring	1	Viton
111	550450	Girello 3/4" G	Ring nut	1	
112	550460	Curva ø 18	Elbow	1	
113	200390	Anello seeger	Circlip	1	
114	680040	Sfiato olio	Oil breather	1	
115	1040850	Anello	Ring	1	"C/SP" new version
124	1041140	Rondella camera aria	Ring	1	



KIT 1952 Membrane gomma Buna diaphragms	
Pos.	Q.ty
3	3

KIT 1963 Valvole Valves	
Pos.	Q.ty
31	6
70	6

KIT 2063 OR O-Rings			
Pos.	Q.ty	Pos.	Q.ty
21	3		
32	1		
38	1		
40	5		
44	2		
46	6		
53	1		
54	4		
70	6		
104	6		
110	1		

KIT 1948 Pronto intervento Maintenance repair					
Pos.	Q.ty	Pos.	Q.ty	Pos.	Q.ty
1	3	40	5	104	6
3	3	44	2	106	1
10	1	46	6	108	1
16	1	47	1	114	1
18	1	48	1		
21	3	52	1		
31	6	53	1		
32	1	54	4		
34	1	61	1		
36	1	70	6		
38	1	98	1		